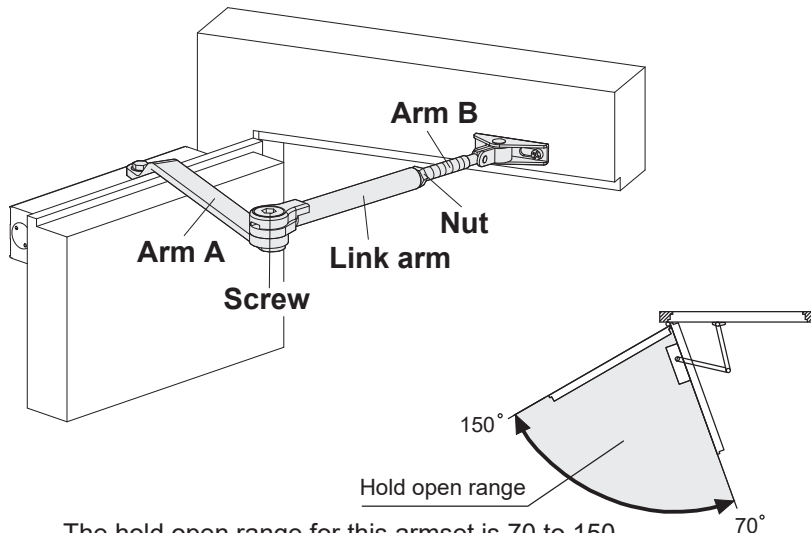


NOTE:

This is a mechanical hold open armset and is not suitable for use on fire / smoke resisting door sets.

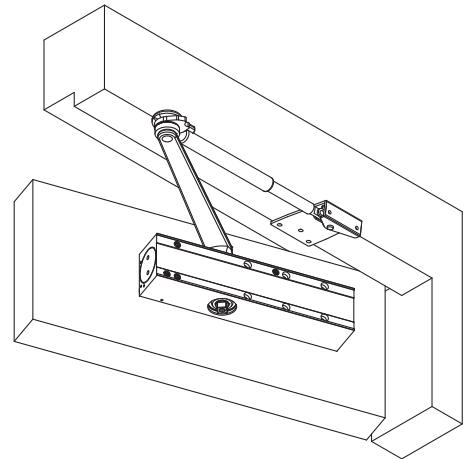


Standard door mount (Figure 1)



The hold open range for this armset is 70 to 150 degrees depending on the model used with.

Door mount push (Figure 6)



Installation information:

The selected door closer mechanism and arm set is mounted in the same way as for fitting a standard adjustable mechanism and arm set (Please refer to standard fitting instructions).

Adjusting the hold open angle:

Once door closer mechanism has been installed, please keep door in the open position and tighten the hexagonal armset screw provided with 5mm allen key (Allen Key SW5).

Re-adjusting the hold open angle:

1. Open door to adjusted hold open angle. Loosen armset hexagonal screw using a 5mm allen key and move door to new desired hold open angle.
2. Re-tighten armset hexagonal screw, ensuring that the screw is fully tightened.
3. Release door, test new hold open angle and repeat adjustment as necessary until door is in correct position.

Adjustment of the hold open function:

1. Remove threaded nut and un-attach arm B from link arm (see above diagram).
2. Locate adjustment screw within link arm and using a flat blade screwdriver, adjust screw left or right to increase or decrease hold open strength (see opposite diagram).
3. Once desired hold open strength has been achieved, re-attach armset and ensure all components are correctly tightened before testing door.

